

BALDOR® • RELIANCE 

Product Information Packet

CFSWDM3555-E

2HP,3450RPM,3PH,60HZ,56C,3532M,TEFC,F1,N

| Part Detail | | | | | | | |
|-------------|---------|-------------|------------|-------------|---|---------------|------------|
| Revision: | E | Status: | PRD/A | Change #: | | Proprietary: | No |
| Type: | AC | Elec. Spec: | 35WGR129 | CD Diagram: | CD0005 | Mfg Plant: | |
| Mech. Spec: | 35E4741 | Layout: | 35LYE4741 | Poles: | 02 | Created Date: | 07-25-2017 |
| Base: | RG | Eff. Date: | 08-26-2019 | Leads: | 9#18 15" lead length,0#0 dbl dip & bake,0#0 phase insulaY | | |

| Specs | | | |
|---------------------------------|-------------------------|--------------------------------|------------------------|
| Catalog Number: | CFSWDM3555-E | Inverter Code: | Inverter Ready |
| Enclosure: | TEFC | KVA Code: | N |
| Frame: | 56C | Lifting Lugs: | No Lifting Lugs |
| Frame Material: | Stainless Steel | Locked Bearing Indicator: | Locked Bearing |
| Output @ Frequency: | 2.000 HP @ 60 HZ | Motor Finish: | UNPAINTED |
| Synchronous Speed @ Frequency: | 3600 RPM @ 60 HZ | Motor Lead Quantity/Wire Size: | @ 0 AWG |
| Voltage @ Frequency: | 460.0 V @ 60 HZ | | 9 @ 18 AWG |
| | 230.0 V @ 60 HZ | Motor Lead Exit: | Ko Box |
| XP Class and Group: | None | Motor Lead Termination: | Flying Leads |
| XP Division: | Not Applicable | Motor Type: | 3532M |
| Agency Approvals: | CSA | Mounting Arrangement: | F1 |
| | UR | Power Factor: | 85 |
| Auxillary Box: | No Auxillary Box | Product Family: | WD All SS Encapsulated |
| Auxillary Box Lead Termination: | None | Pulley End Bearing Type: | Sealed Bearing |
| Base Indicator: | Rigid | Pulley Face Code: | C-Face |
| Bearing Grease Type: | Polyrex EM (-20F +300F) | Pulley Shaft Indicator: | Standard |
| Blower: | None | Rodent Screen: | None |
| Current @ Voltage: | 2.500 A @ 460.0 V | RoHS Status: | ROHS COMPLIANT |

| | | | |
|---------------------------------------|---------------------------|------------------------------------|---------------------|
| | 5.000 A @ 230.0 V | Shaft Extension Location: | Pulley End |
| | 5.400 A @ 208.0 V | Shaft Ground Indicator: | No Shaft Grounding |
| Design Code: | B | Shaft Rotation: | Reversible |
| Drip Cover: | No Drip Cover | Shaft Slinger Indicator: | No Slinger |
| Duty Rating: | CONT | Speed Code: | Single Speed |
| Electrically Isolated Bearing: | Not Electrically Isolated | Motor Standards: | NEMA |
| Feedback Device: | NO FEEDBACK | Starting Method: | Direct on line |
| Front Face Code: | Standard | Thermal Device - Bearing: | None |
| Front Shaft Indicator: | None | Thermal Device - Winding: | None |
| Heater Indicator: | No Heater | Vibration Sensor Indicator: | No Vibration Sensor |
| Insulation Class: | H | Winding Thermal 1: | None |
| | | Winding Thermal 2: | None |

| | | | | | | | | | | | |
|----------------------------|---------------|--|-----------|-------------|-----------------------|------------|---|--|--------------|-----------|---|
| Nameplate NP1953A01 | | | | | | | | | | | |
| CAT.NO. | CFSWDM3555-E | | | | | | | | | | |
| SPEC. | 35E4741R129G1 | | | | | | | | | | |
| HP | 2 | | | | | | | | | | |
| VOLTS | 230/460 | | | | | | | | | | |
| AMP | 5/2.5 | | | | | | | | | | |
| RPM | 3450 | | | | | | | | | | |
| FRAME | 56C | | | | HZ | 60 | | | | PH | 3 |
| SER.F. | 1.15 | | | CODE | N | DES | B | | CLASS | H | |
| NEMA-NOM-EFF | 86.5 | | | | PF | 85 | | | | | |
| RATING | 40C AMB-CONT | | | | | | | | | | |
| CC | 010A | | | | USABLE AT 208V | | | | | 5.4 | |
| DE | 6205 | | | | ODE | 6205 | | | | | |
| ENCL | TEFC | | SN | | | | | | | | |
| | 4:1CT, 10:1VT | | | | | | | | | | |

| Parts List | | |
|--------------|--|----------|
| Part Number | Description | Quantity |
| SA346339 | SA 35E4741R129G1 | 1.000 EA |
| RA334849 | RA 35E4741R129G1 | 1.000 EA |
| 35CB1012A02 | 35 MACH MID SECTION - 3 PC. CONDUIT BOX | 1.000 EA |
| 10XN1032FS08 | HEX HD CAP SCREW 10-32 X 1/2 SS FOOD SAF | 3.000 EA |
| RM1070A81 | O-RING, -043 VITON/FKM .070CS X 3.489ID | 1.000 EA |
| 35CB1511A01 | 35-36-37 MACH. LID - 3 PC. CONDUIT BOX | 1.000 EA |
| 11XW1032G08 | 10-32 X .50, TAPTITE II, HEX WSHR SLTD U | 1.000 EA |
| HW3001B02 | BRASS CUP WASHER W/GROUND SYMBOL TAB, | 1.000 EA |
| 35EP1940A05 | FRONT TEFC 205 BRG (STAINLESS) | 1.000 EA |
| RM1070A25 | O-RING, VITON/FKM .070CS X 6.190ID | 1.000 EA |
| HW4600G01 | .984X1.499X.25 VITON SLICK SERIES LIP | 1.000 EA |
| HW4600E99 | 25 X 42 X 6 AFX SEAL, GRAPHITE INFUSED V | 1.000 EA |
| HW4500S33 | 1/8 NPT STAINLESS #304 SS PLUG | 3.000 EA |
| HA4054 | SHORT T-DRAIN FITTING, .125" N.P.T. | 1.000 EA |
| HW5100A05 | WVY WSHR F/205 & 304 BRGS | 1.000 EA |
| 35EP1935A02 | PULLEY 56C/143-5TC ENCL 205 BRG | 1.000 EA |
| RM1070A25 | O-RING, VITON/FKM .070CS X 6.190ID | 1.000 EA |
| HW4600G01 | .984X1.499X.25 VITON SLICK SERIES LIP | 1.000 EA |
| HW4600E99 | 25 X 42 X 6 AFX SEAL, GRAPHITE INFUSED V | 1.000 EA |
| HW4500S33 | 1/8 NPT STAINLESS #304 SS PLUG | 3.000 EA |
| HA4054 | SHORT T-DRAIN FITTING, .125" N.P.T. | 1.000 EA |
| RM1070A26 | O-RING,4.5MM I.D.X1.5MM C.S. (VITON) | 4.000 EA |
| 35FH4005A39 | IEC FH NO GREASER DEBURR/CLEAN - SS | 1.000 EA |
| 10XN1032FS06 | HEX HD CAP SCREW 10-32 X 3/8 SS FOOD SAF | 3.000 EA |

| Parts List (continued) | | |
|-------------------------------|--|-----------------|
| Part Number | Description | Quantity |
| RM1070A81 | O-RING, -043 VITON/FKM .070CS X 3.489ID | 1.000 EA |
| HW2502D13 | SS KEY, 3/16 SQ X 1.375 | 1.000 EA |
| HA7000A04 | KEY RETAINER 0.625 DIA SHAFTS | 1.000 EA |
| MJ5001A27 | 32220KN GRAY SEALER *MIN BUY 4 QTS=1GAL | 0.005 QT |
| MJ5004A93 | FOOD GRADE (H1 RATED) ANTISEIZE THRD COM | 0.005 EA |
| MJ1000A02 | GREASE, MOBIL POLYREX EM - 124047 | 0.050 LB |
| 34FN3002B01 | EXTERNAL FAN, PLASTIC, .637/.639 HUB W/ | 1.000 EA |
| 19XB0818S12 | 8-18X3/4 HXWS TYB HIGH-LOW | 1.000 EA |
| WD5603A01 | KIT, CLOSED-END LEAD SPLICE (18-14GA) | 1.000 EA |
| HA3100FS60 | THRUBOLT, 10-32 X 10.375 SS FOOD SAFE | 4.000 EA |
| 36PA1000 | PKG GRP, PRINT PK1016A06 | 1.000 EA |
| MN416A01 | TAG-INSTAL-MAINT no wire (1200/bx) 3/19 | 1.000 EA |
| HA5027A07 | 85XU1208S08 FACE DRAIN PINS BAGGED | 1.000 EA |
| FE-0000002 | ZRTG FE ASSEMBLY | 1.000 EA |
| PE-0000002 | ZRTG PE ASSEMBLY | 1.000 EA |

AC Induction Motor Performance Data

Record # 57369 - Typical performance - not guaranteed values

| | | |
|-------------------------------|--------------------|------------------------|
| Winding: 35WGR129-R013 | Type: 3532M | Enclosure: TEFC |
|-------------------------------|--------------------|------------------------|

| Nameplate Data | | | | 460 V, 60 Hz: High Voltage Connection | |
|-----------------------|--------------|--------------|----|--|---------------------------|
| Rated Output (HP) | 2 | | | Full Load Torque | 2.99 LB-FT |
| Volts | 230/460 | | | Start Configuration | direct on line |
| Full Load Amps | 5/2.5 | | | Breakdown Torque | 15.9 LB-FT |
| R.P.M. | 3450 | | | Pull-up Torque | 9.04 LB-FT |
| Hz | 60 | Phase | 3 | Locked-rotor Torque | 13.8 LB-FT |
| NEMA Design Code | B | KVA Code | N | Starting Current | 31 A |
| Service Factor (S.F.) | 1.15 | | | No-load Current | 1.13 A |
| NEMA Nom. Eff. | 86.5 | Power Factor | 85 | Line-line Res. @ 25°C | 5.59 Ω |
| Rating - Duty | 40C AMB-CONT | | | Temp. Rise @ Rated Load | 51°C |
| S.F. Amps | | | | Temp. Rise @ S.F. Load | 59°C |
| | | | | Locked-rotor Power Factor | 47.5 |
| | | | | Rotor inertia | 0.0885 LB-FT ² |

Load Characteristics 460 V, 60 Hz, 2 HP

| % of Rated Load | 25 | 50 | 75 | 100 | 125 | 150 | S.F. |
|-----------------|------|------|------|------|------|------|------|
| Power Factor | 48 | 70 | 80 | 86 | 89 | 91 | 88 |
| Efficiency | 75.8 | 84.9 | 86.5 | 87.1 | 86.6 | 85.7 | 86.8 |
| Speed | 3574 | 3549 | 3525 | 3500 | 3471 | 3441 | 3483 |
| Line amperes | 1.27 | 1.62 | 2.03 | 2.5 | 3.04 | 3.6 | 2.82 |

Performance Graph at 460V, 60Hz, 2.0HP Typical performance - Not guaranteed values

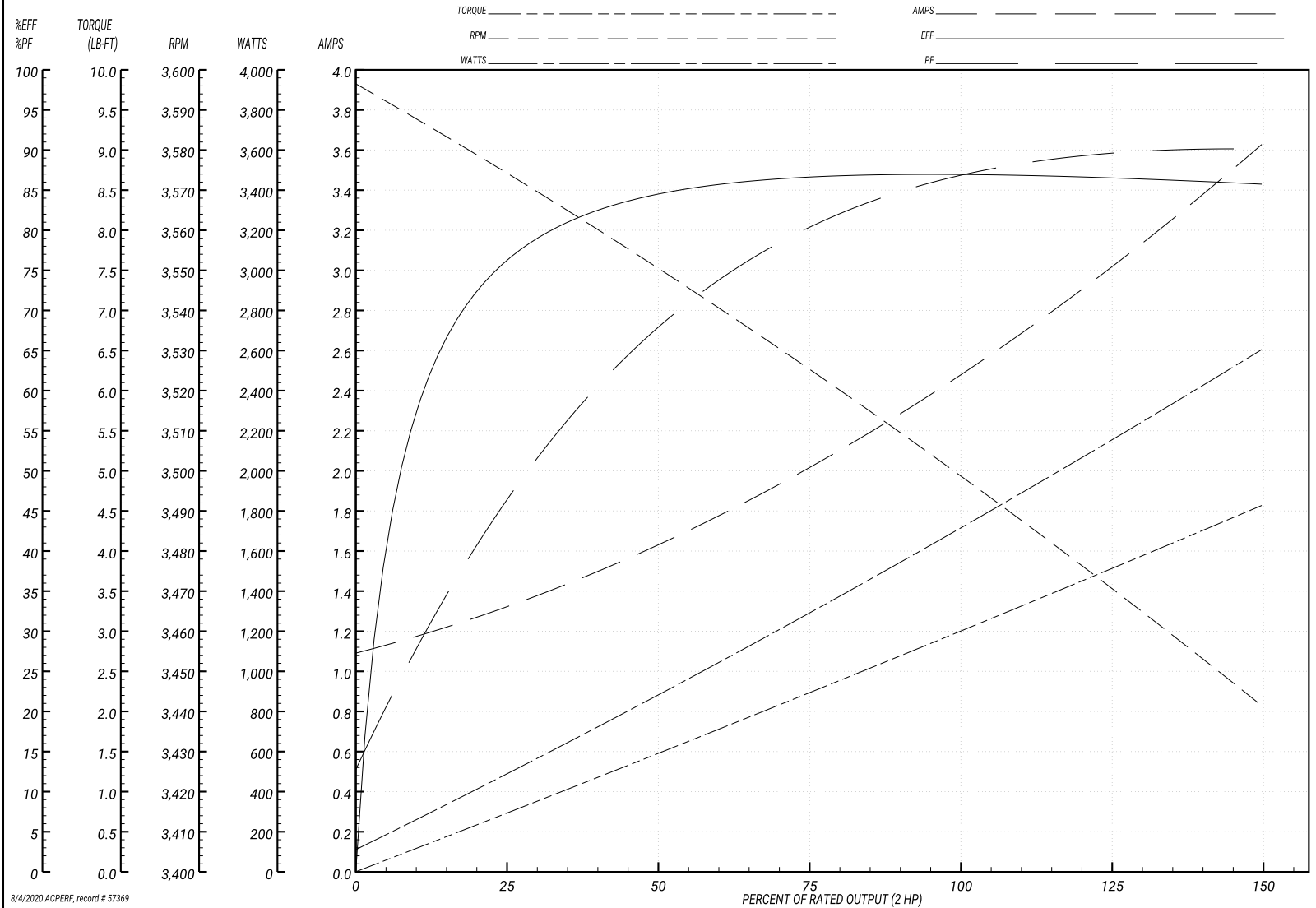
ABB Motors and Mechanical Inc.

WINDING # 35WGR129

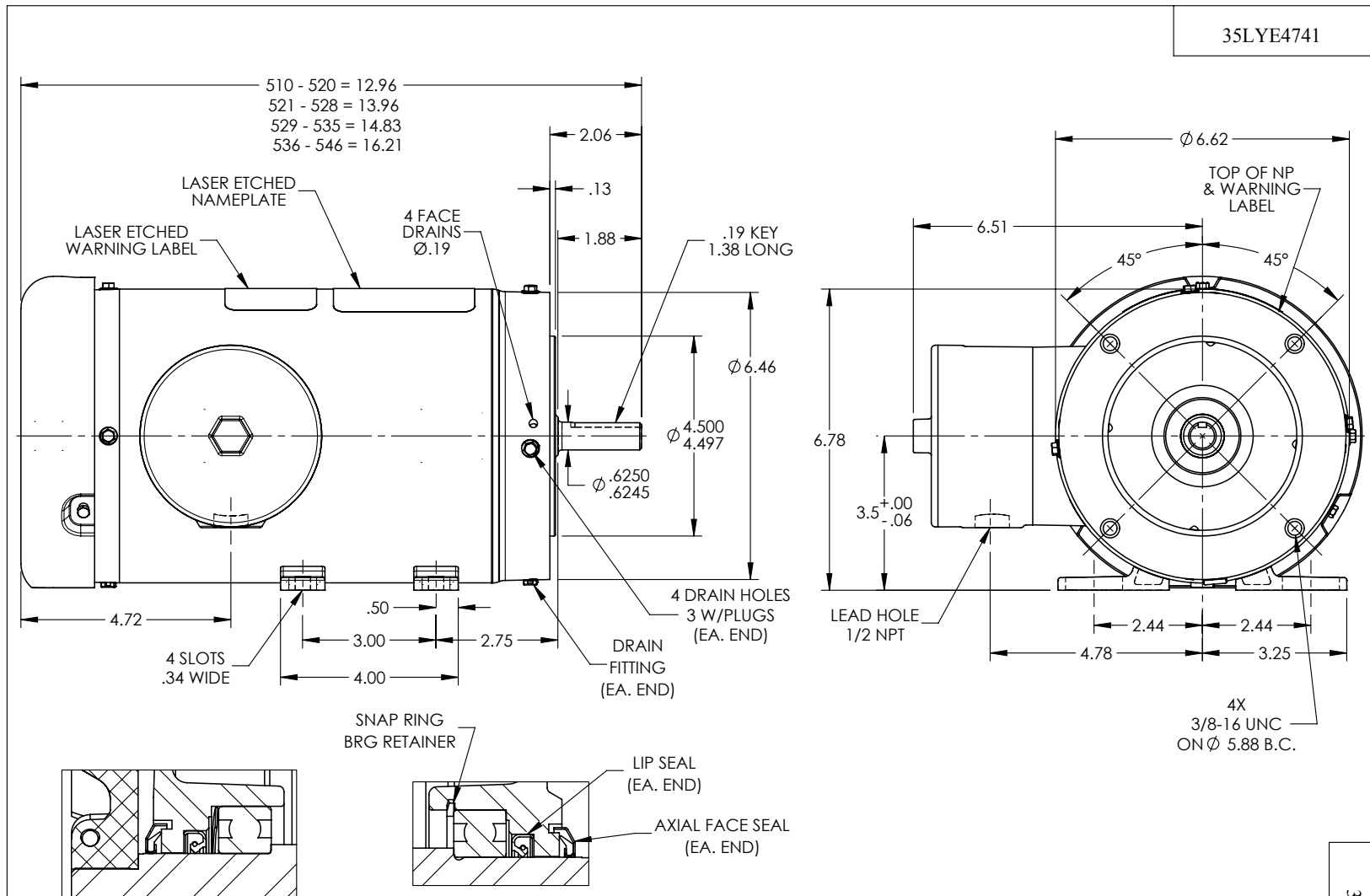
Typical performance - not guaranteed values.

2 HP 3 PH 60 HZ 3450 RPM 460 V 3532M

TORQUES(LB-FT): PO=15.9 PU=9.04 LR=13.8 LRA=31



8/4/2020 ACPERF, record # 57369



FRONT END DETAIL

PULLEY END DETAIL

CUSTOMER IS RESPONSIBLE FOR DETERMINING THAT BALDOR'S PRODUCT WILL PERFORM SUITABLY IN THE INTENDED APPLICATION

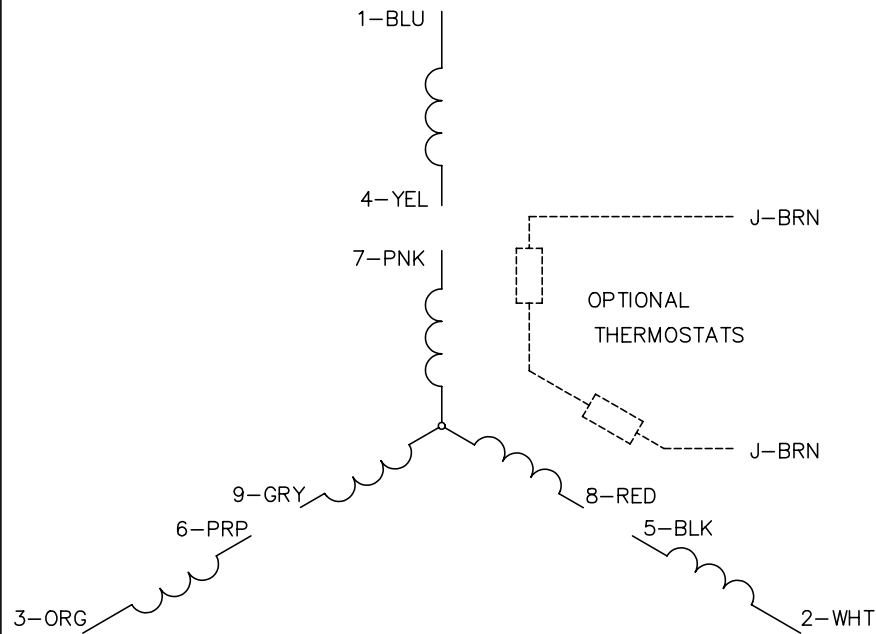
| | | | |
|--|-------------|------------------------------|-------------------|
| REV. DESC: NP LEADER POINTED TO WARNING LABEL & LEADER FOR | | | |
| REV: A | VERSION: 01 | REVISED: 01:39:56 01/15/2018 | TDR: 000001056998 |
| 35LYE4741 | | MODEL NO. 35LYE4741 | REF: - |
| | | BY: ENMARH0 | |

BALDOR

STD HORZ 56C TEFC 35M WD11/12

35LYE4741

CD0005

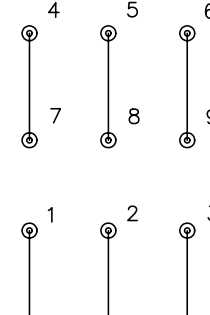


LOW VOLTAGE
(2Y)



LINE

HIGH VOLTAGE
(1Y)



LINE

NOTES:

1. INTERCHANGE ANY TWO LINE LEADS TO REVERSE ROTATION.
2. OPTIONAL THERMOSTATS ARE PROVIDED WHEN SPECIFIED.
3. ACTUAL NUMBER OF INTERNAL PARALLEL CIRCUITS MAY BE A MULTIPLE OF THOSE SHOWN ABOVE.
4. LEAD COLORS ARE OPTIONAL. LEADS MUST ALWAYS BE NUMBERED AS SHOWN.

| | | | |
|---|---------|-------------------------|--------------|
| REV. DESC: REVISE TO SHOW OPTIONAL COLORS | | | |
| REV. LTR: E | BY: JLP | REVISED: 01/19/99 10:15 | TDR: 0171435 |
| 900000 | | FILE: AAA00005140 | MDL: - |
| | | MTL: - | |

BALDOR ELECTRIC Co.

3PH, DV, 9 LEADS

CD0005